



TWIN SEAM COMPANY A/S

Feeder for Plasma Cutting Table

TYPE FE 1500, FE 2000

This machine feeds material from coils directly on plasma cutting table.

The material is straightened via adjustable straightening rollers.

Machines are available for 1500 mm and 2000 mm Coils.



Options for Feeder system

- Autoselect and additional decoilers
- Scrap cutting unit
- Conveyor system for scrap material
Automatic start/stop functions
- Remote control of plasma cutting table and filter



Twin Seam Company A/S

Stejlepladsvej 15

DK-2990 Nivaa

Denmark

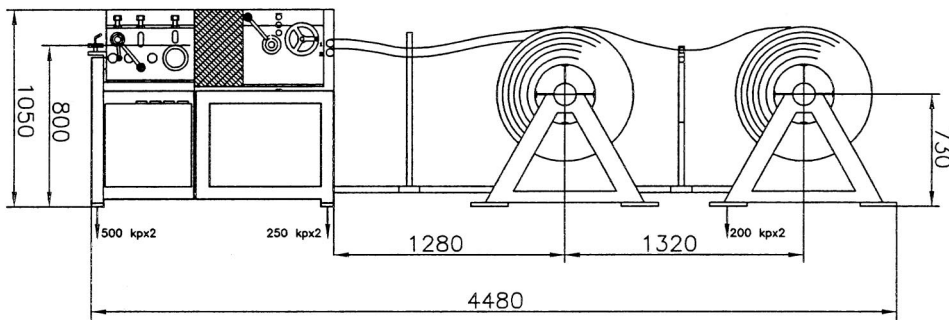
Phone: +45 49 14 86 00

Fax: +45 49 14 86 10

www.twinseam.com

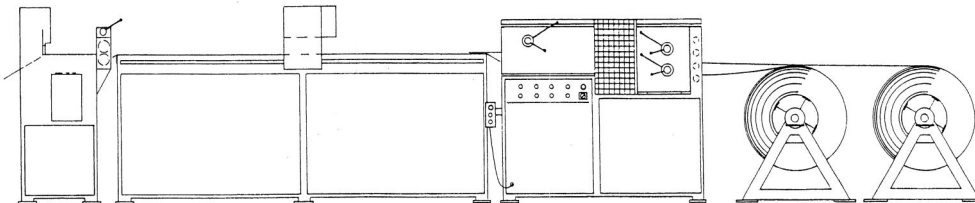
E-mail: mail@twinseam.com

Type FE 1500 A2



- Center adjustable inlet guide
- Autoselect A2 for 2 material dimensions
- Straightening unit
- Adjustable outlet guide
- Electronic controls
- Hydraulic driven

Type FE 1500 A2 incl. scrap cutting unit



- FE 1500 A2
- Plasma cutting table
- Straightening unit
- Scrap cutting unit

Material specifications

Material specifications	Unit	
Number of coils		1-4
Max. weight of coil	Tons	7
Max. width of coil	mm	1500-60, „2000-80“
Max. thickness of sheet	mm	1,5
Min. thickness of sheet	mm	0,5
Output capacity		
Max. discharge speed	m/min	20
Time for automatic shift between two material gauges	sec	15
Electricity		
Power consumption	KW	3
Electrical connection	Vac.	3x400 V - 50 Hz, 0 + earth
Arrangement		
Floor area required	m ²	3 (without coil)
Approximate weight	Tons	1,5

Technical data subject to revision without notice



TWIN SEAM COMPANY A/S